

||v

||e

r

||t

i

||c

a

||t

||

m

||d

s

||t

||c

||

±

⸱

f  
b

iii

α

D

⸱

⸱

⸱

⸱

⌘, ±

⌘

f  
b -

iii

⌘ α

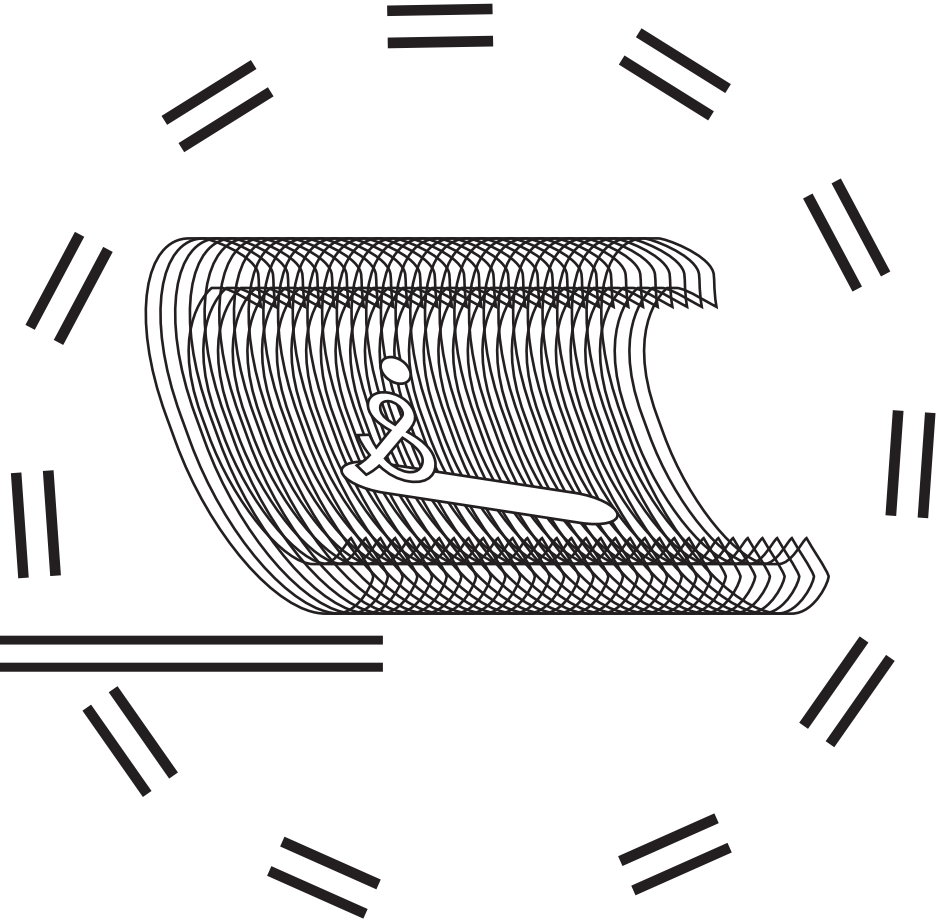
↕ D

⌘

⌘

⌘

⌘ ε

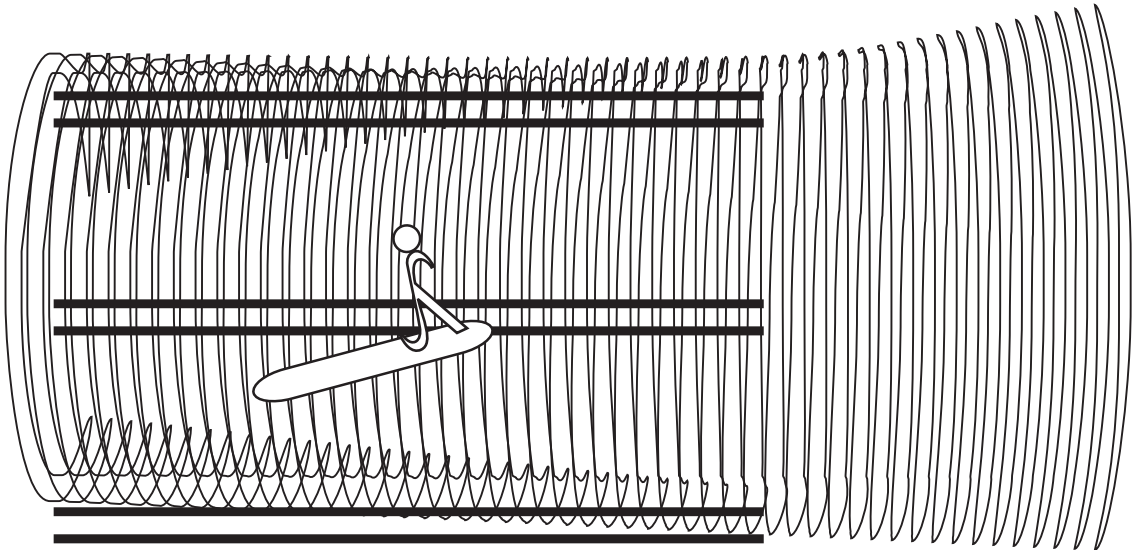




\_\_\_\_\_b\_\_\_\_\_

\_\_\_\_\_

\_\_\_\_\_



iii

iii

?

\_\_\_\_\_



\_\_\_\_\_

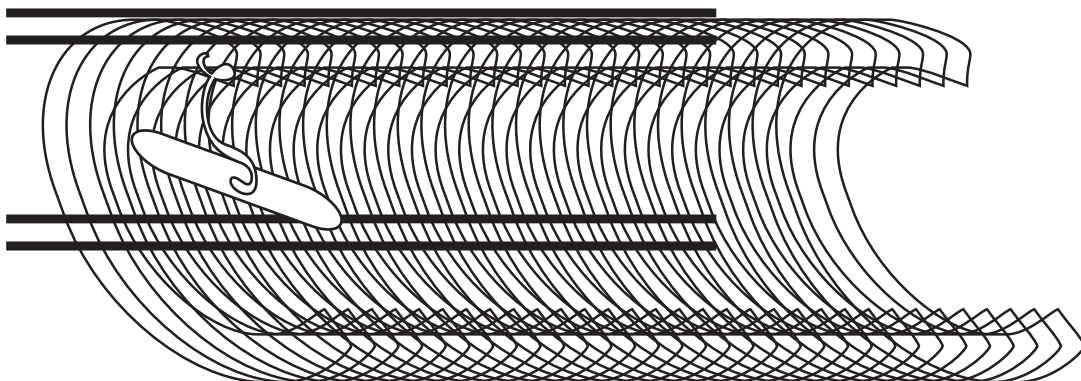
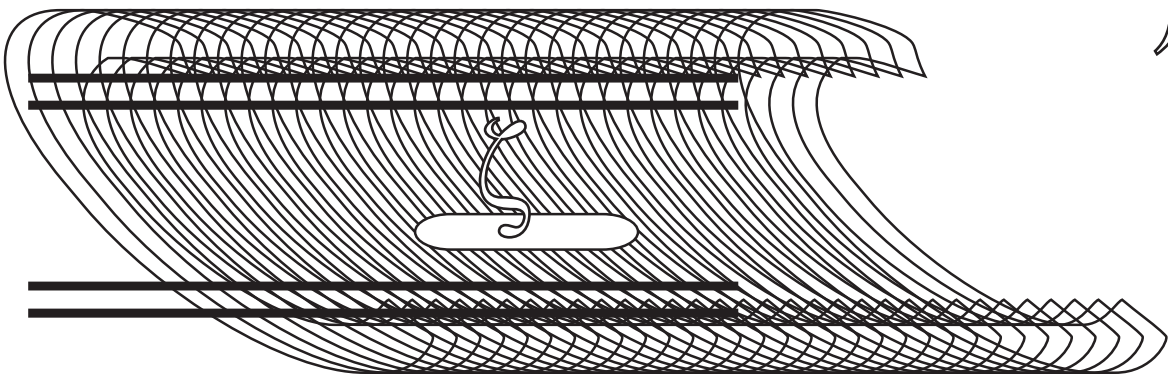
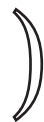
ζ ζ ζ



fi

\_\_\_\_\_

ε

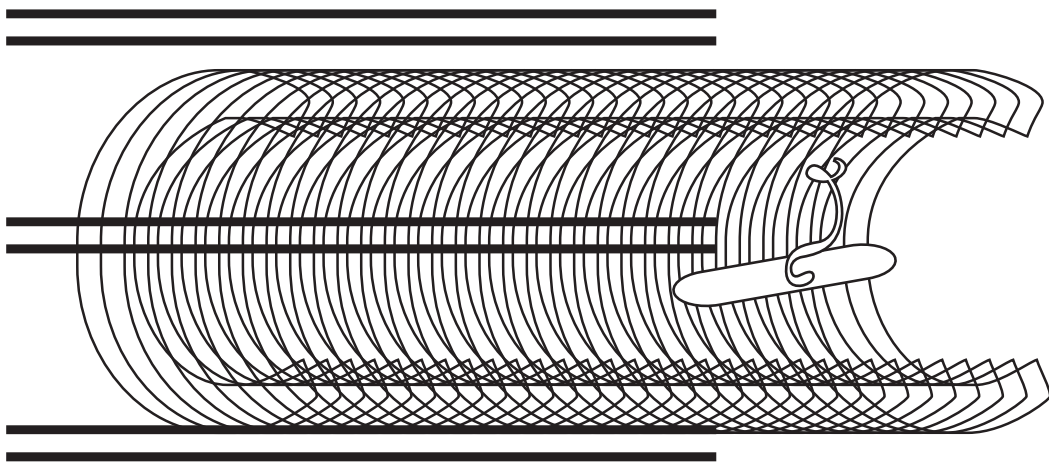


iii

iii



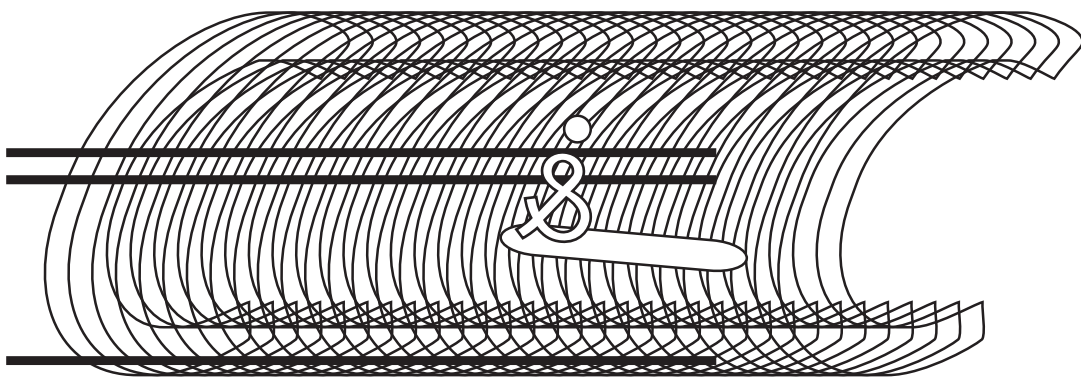
iii



?



?

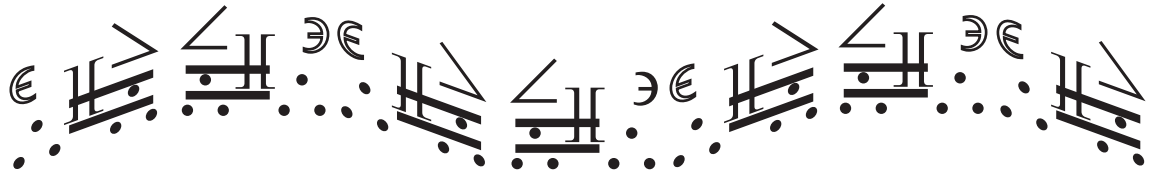
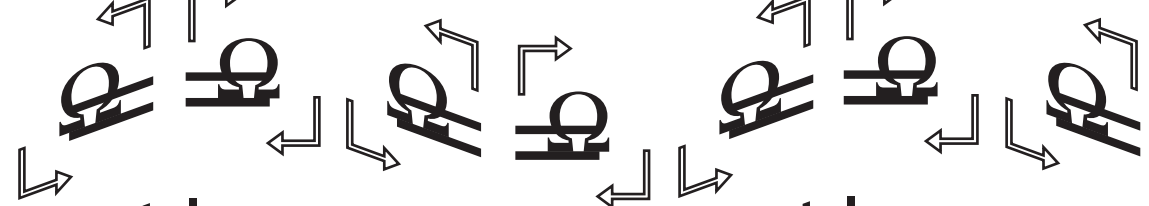
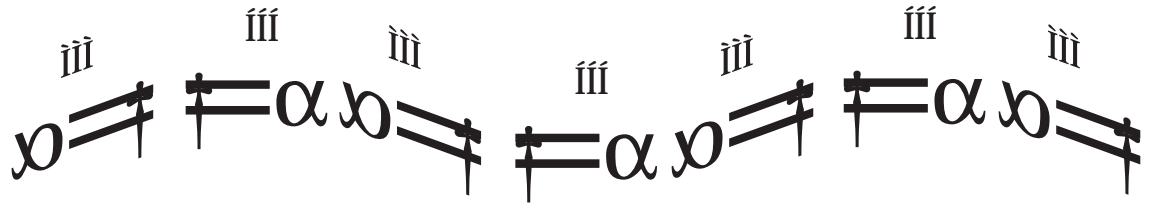
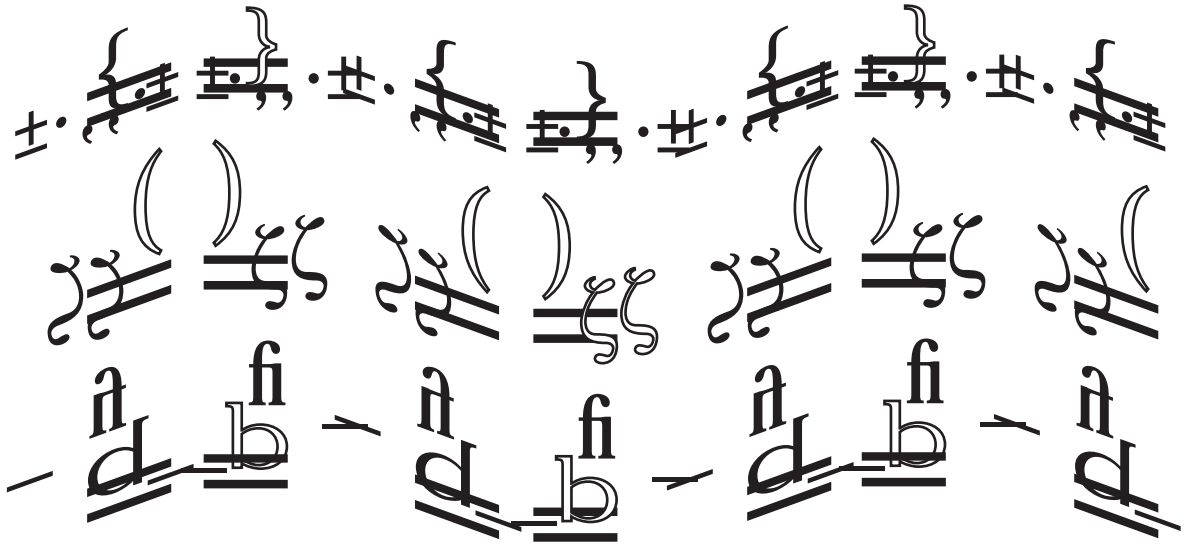


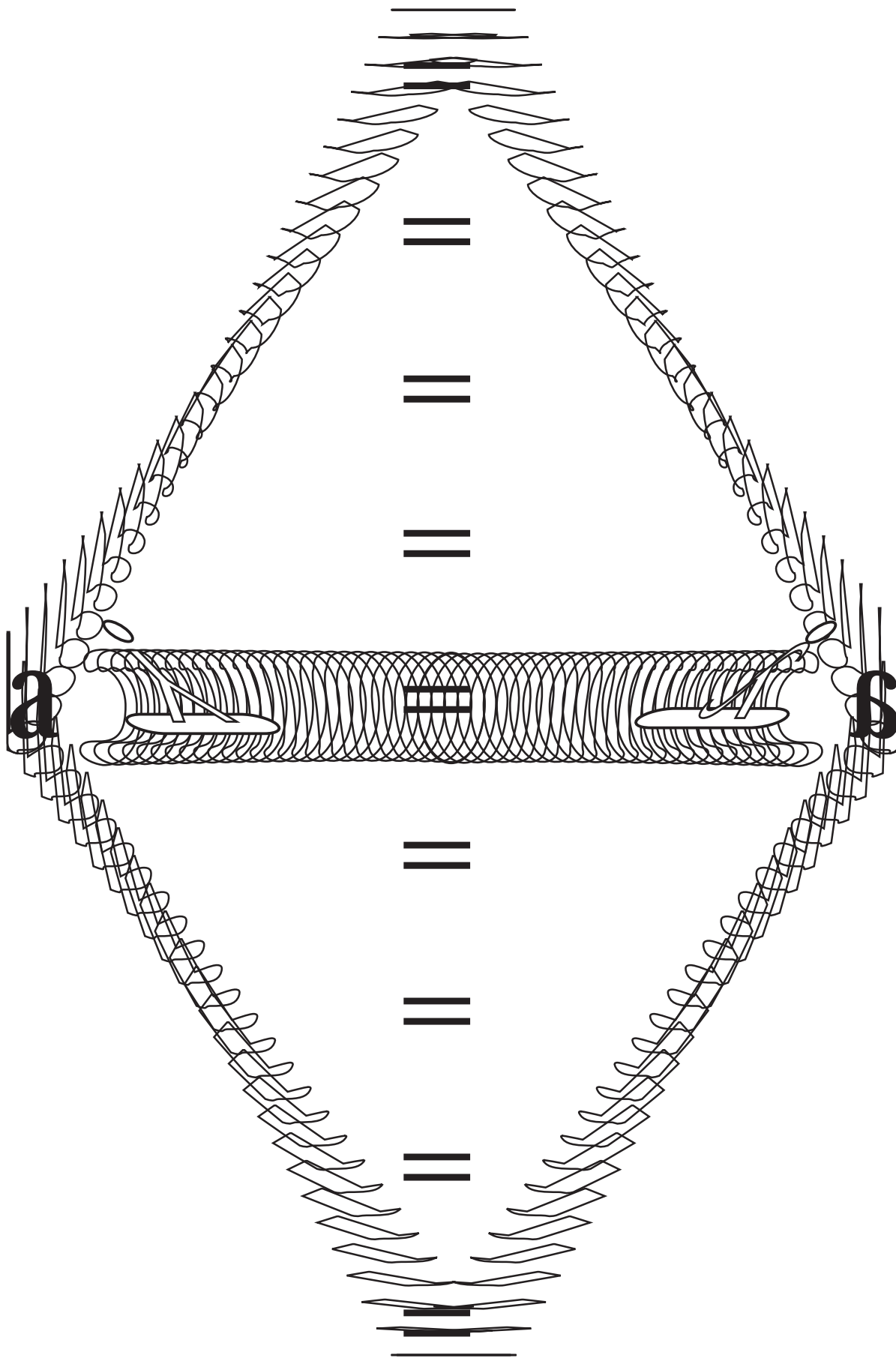
fi

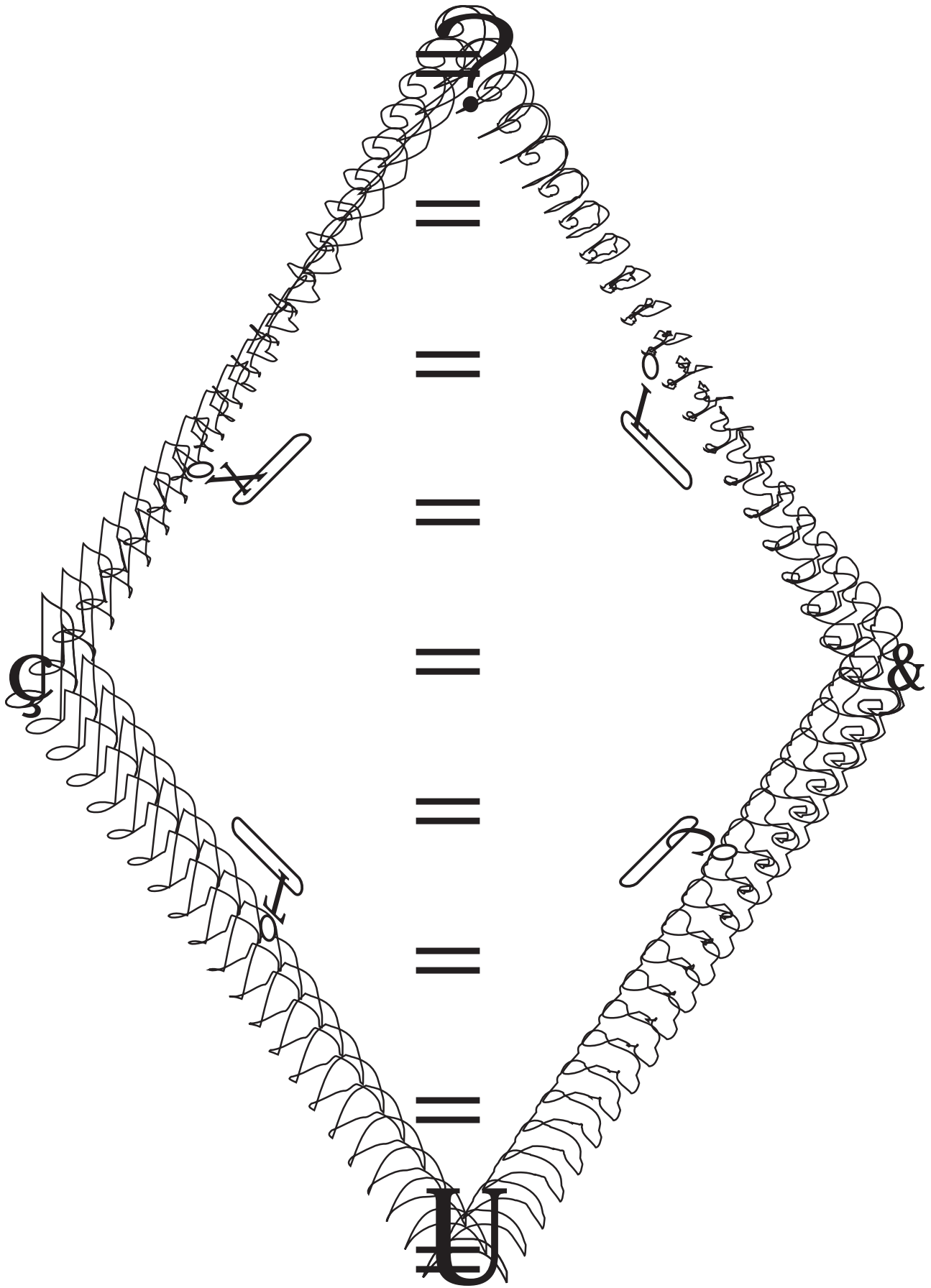
ε

fi

ε









Handwritten symbols: a stylized 'M' with a dot, followed by a complex symbol with a dot and a comma, and another complex symbol with a dot and a comma.

Handwritten symbols: a stylized 'M' with a dot and a comma, followed by a stylized 'M' with a dot and a comma, and a stylized 'M' with a dot and a comma.

Handwritten symbols: a stylized 'M' with a dot and a comma, followed by a stylized 'M' with a dot and a comma, and a stylized 'M' with a dot and a comma.

Handwritten symbols: a stylized 'M' with a dot and a comma, followed by a stylized 'M' with a dot and a comma, and a stylized 'M' with a dot and a comma.

Handwritten symbols: a stylized 'M' with a dot and a comma, followed by a stylized 'M' with a dot and a comma, and a stylized 'M' with a dot and a comma.

Handwritten symbols: a stylized 'M' with a dot and a comma, followed by a stylized 'M' with a dot and a comma, and a stylized 'M' with a dot and a comma.

Handwritten symbols: a stylized 'M' with a dot and a comma, followed by a stylized 'M' with a dot and a comma, and a stylized 'M' with a dot and a comma.

Handwritten symbols: a stylized 'M' with a dot and a comma, followed by a stylized 'M' with a dot and a comma, and a stylized 'M' with a dot and a comma.